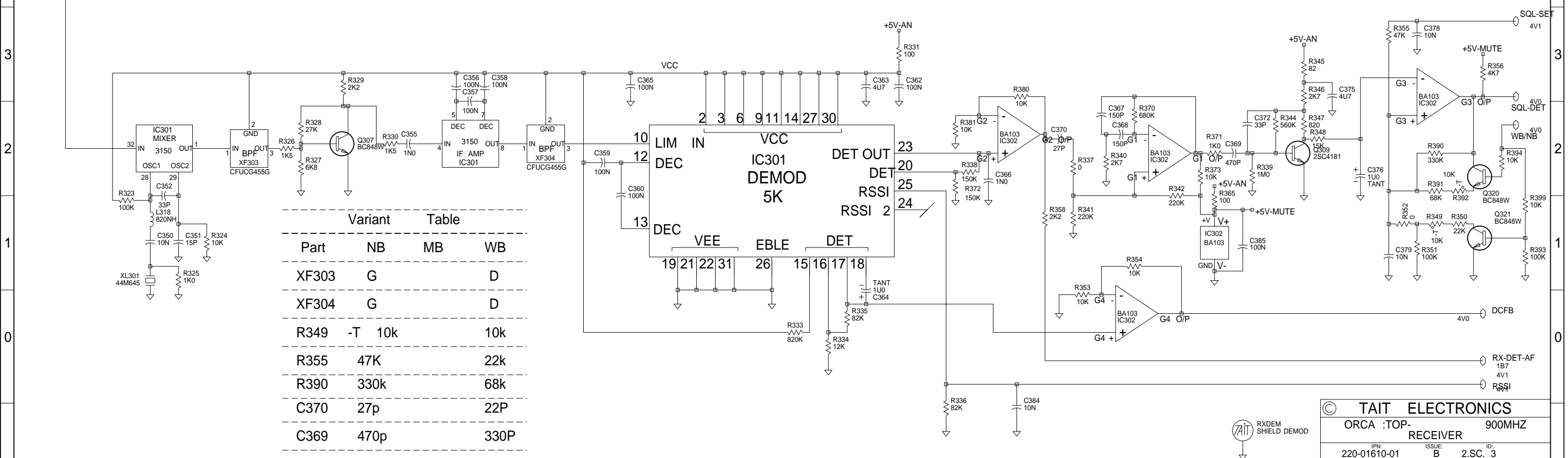
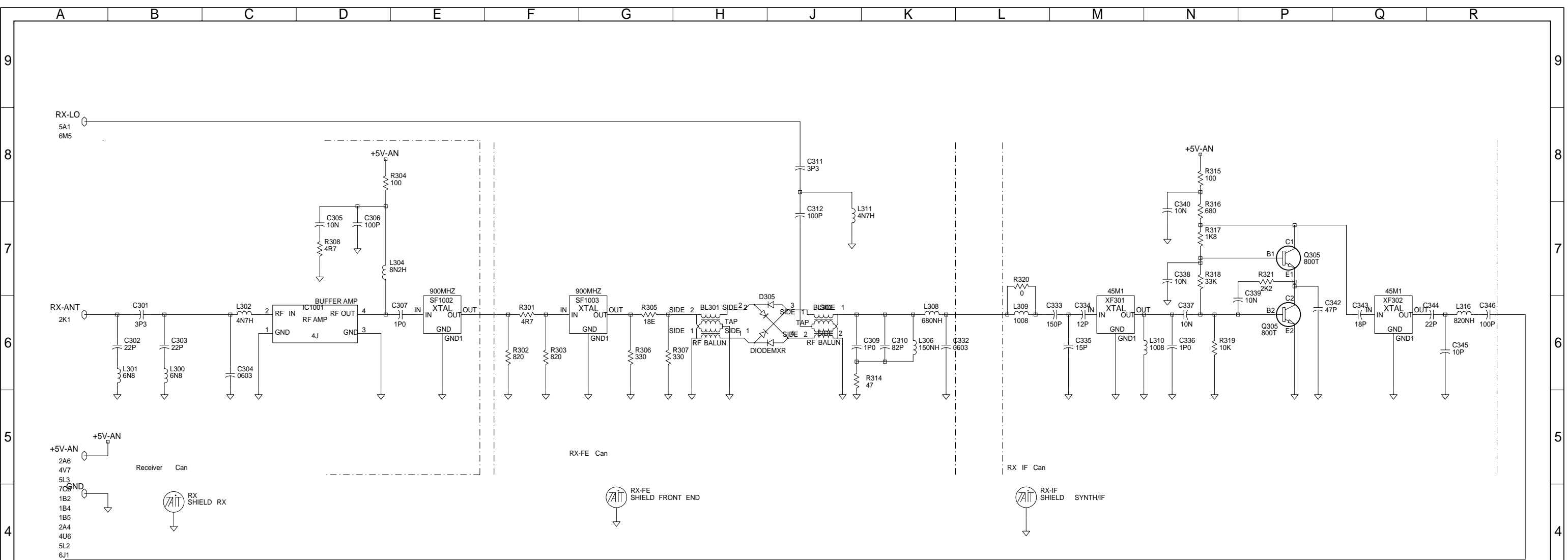


L121 L122 L123 150n 1008

TAIT ELECTRONICS	
ORCA :TOP-POWER AMPLIFIER	900MHZ
IPN: 220-01610-01	ISSUE: B 2.SC. 2
PROJECT: ORCA BRD	DESIGNER: 161001a
FILE NAME: 17-Aug-99	NO.SHEETS: 7

REV/ISS	AMENDMENTS	DRAWN	CHKD	D.O.	APVD	DATE
A						

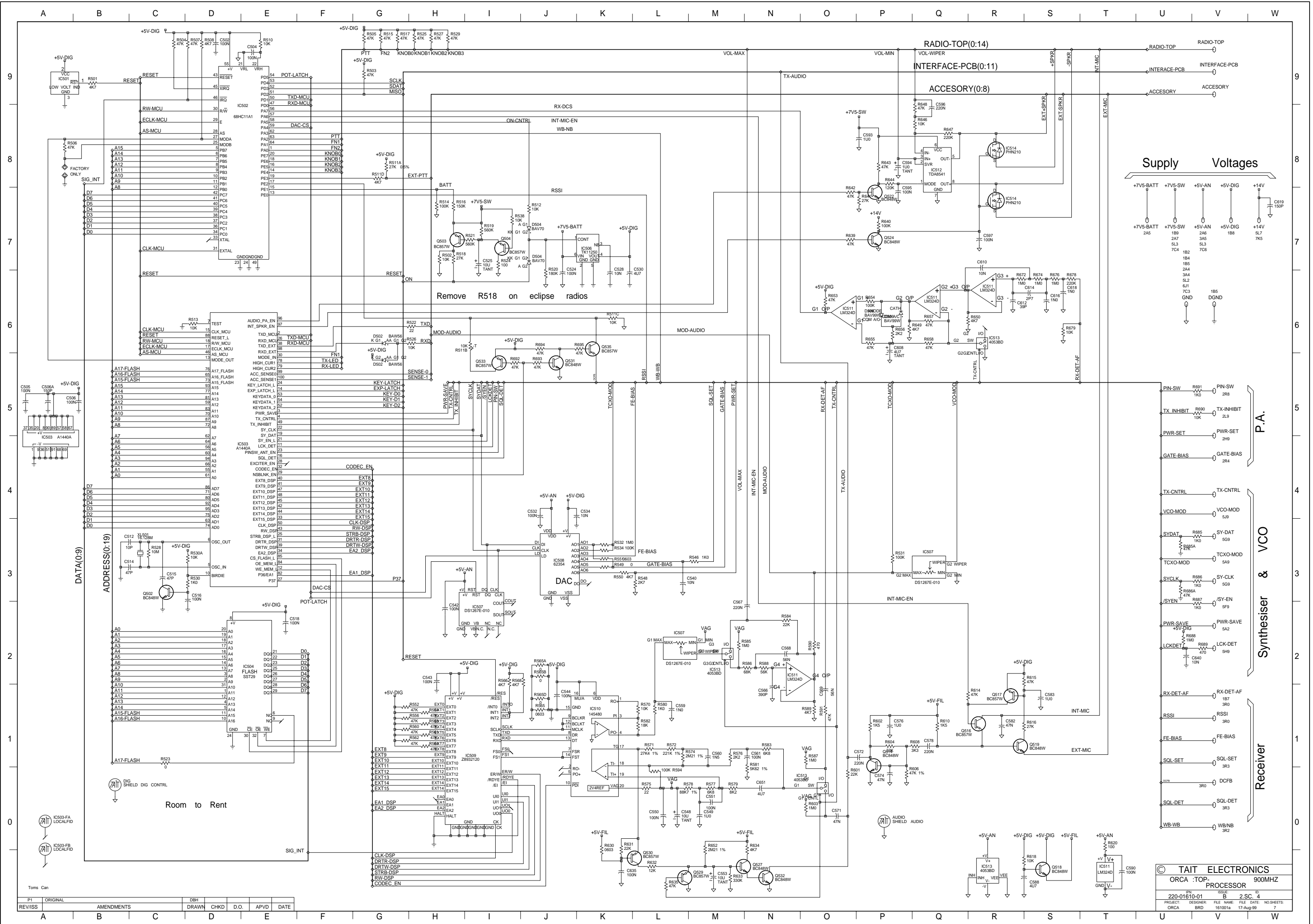


Variant Table

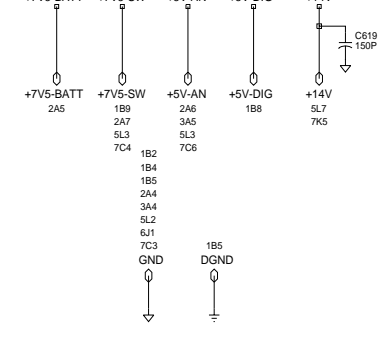
Part	NB	MB	WB
XF303	G		D
XF304	G		D
R349	-T 10k		10k
R355	47K		22k
R390	330k		68k
C370	27p		22P
C369	470p		330P

© TAIT ELECTRONICS
 ORCA :TOP- 900MHZ
 RECEIVER
 IPN: 220-01610-01
 ISSUE: B
 ID: 2.S.C. 3
 PROJECT: ORCA BRD
 DESIGNER: 161001a
 FILE NAME: 17-Aug-99
 FILE DATE: NO.SHEETS: 7

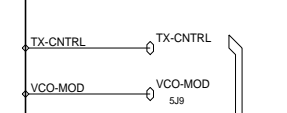
REV/ISS	AMENDMENTS	DRAWN	CHKD	D.O.	APVD	DATE
A						



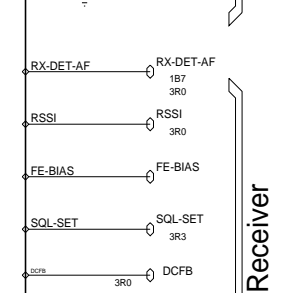
Supply Voltages



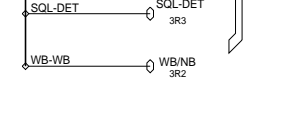
P.A.



Synthesiser & VCO

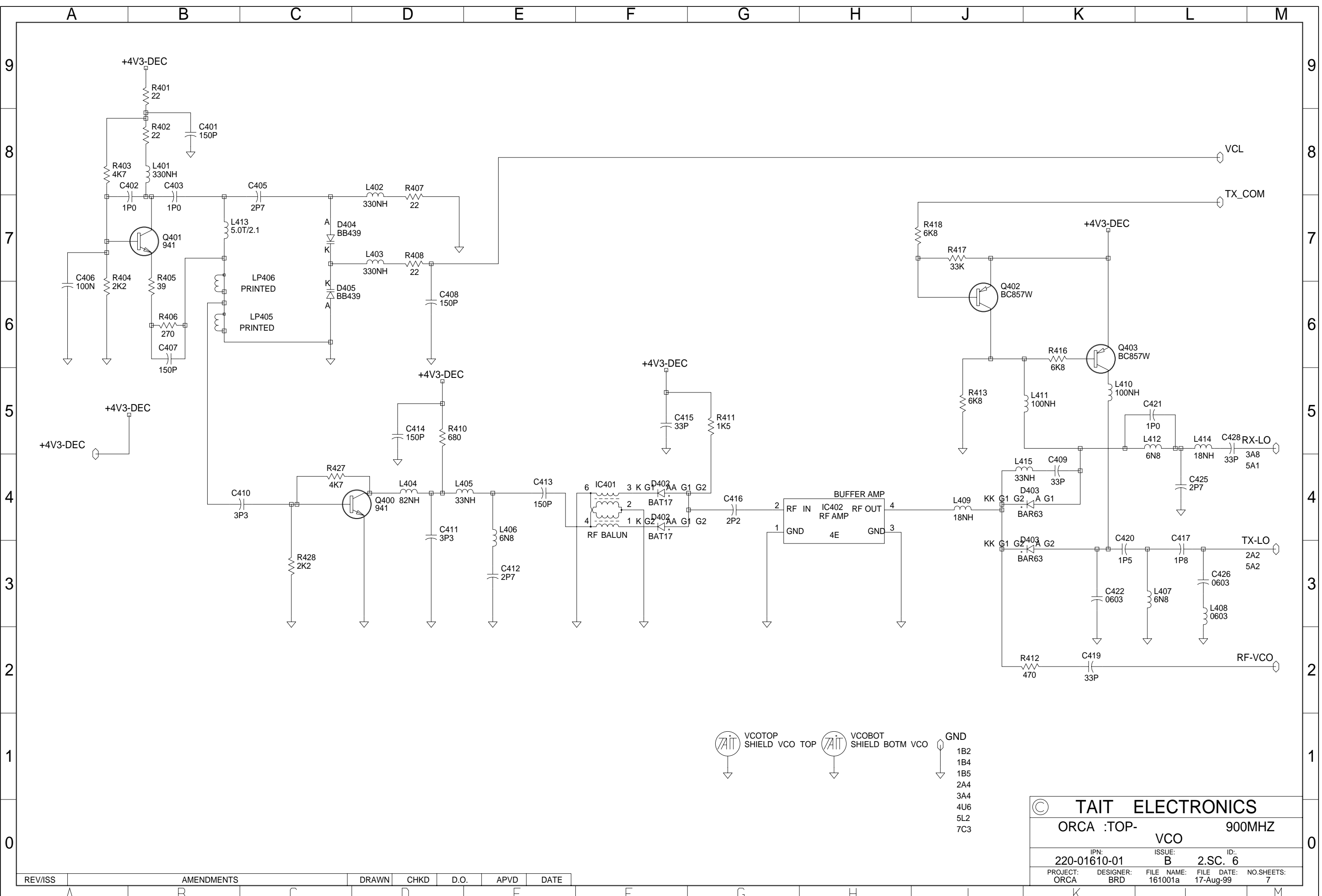


Receiver



© TAIT ELECTRONICS	
ORCA :TOP-	900MHZ
PROCESSOR	
220-01610-01	B 2-SC 4
PROJECT: DESIGNER	FILE NAME: FILE DATE
ORCA BRD	161001a 17-Aug-99
NO SHEETS 7	

REV/ISS	ORIGINAL	AMENDMENTS	DRAWN	CHKD	D.O.	APVD	DATE
A							

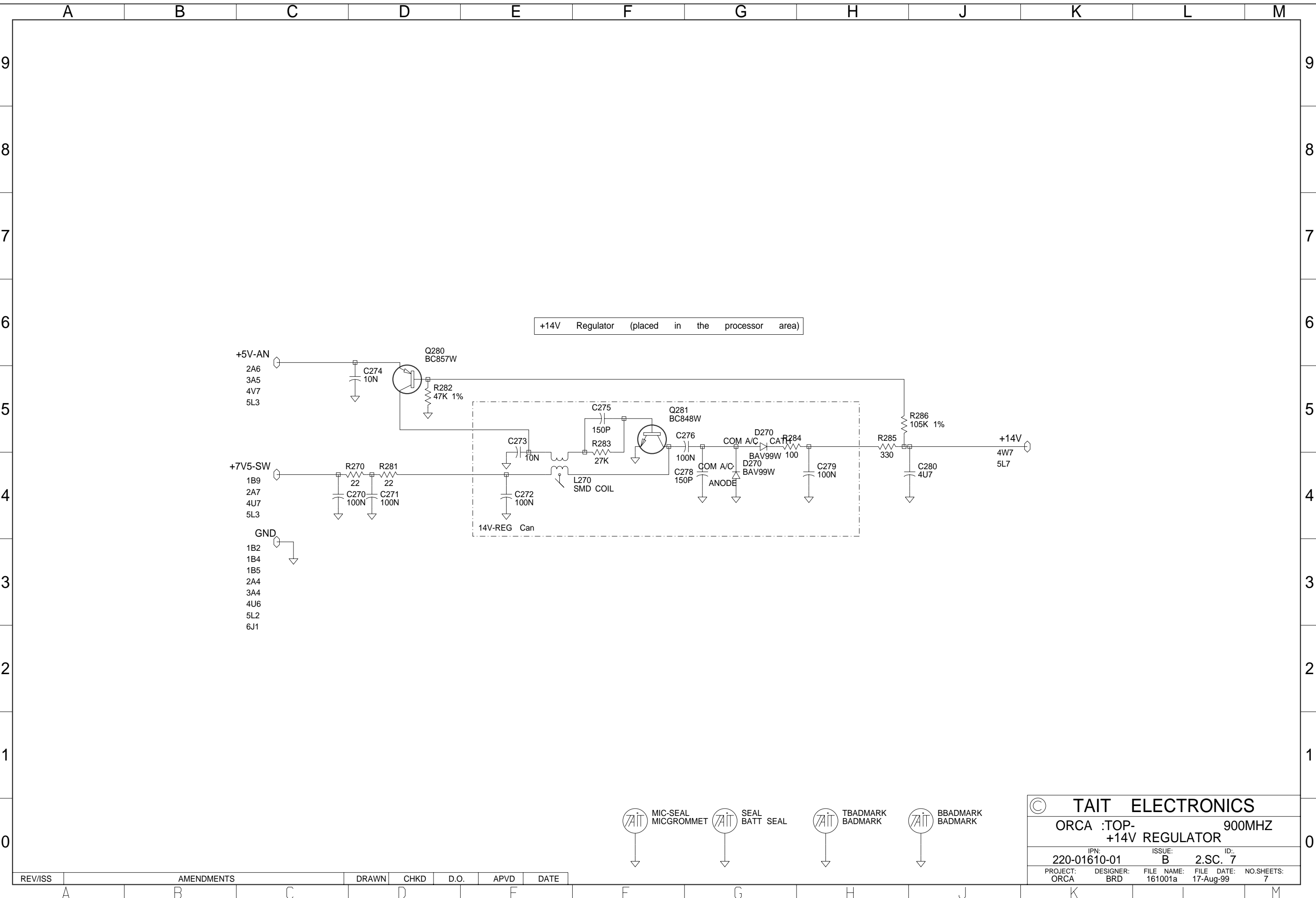


VCOTOP SHIELD VCO TOP
 VCOTOP SHIELD BOTM VCO
 GND

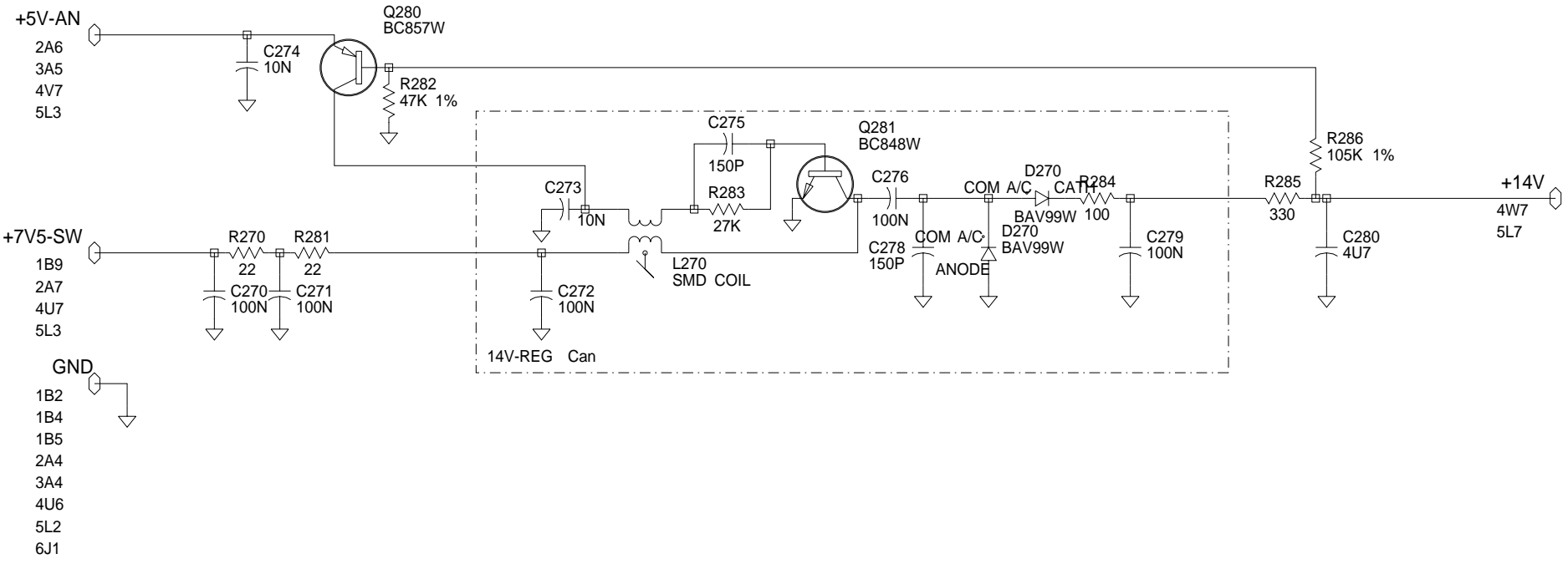
- 1B2
- 1B4
- 1B5
- 2A4
- 3A4
- 4U6
- 5L2
- 7C3





© TAIT ELECTRONICS
 ORCA :TOP- VCO 900MHZ
 IPN: 220-01610-01 ISSUE: B ID: 2.SC. 6
 PROJECT: ORCA DESIGNER: BRD FILE NAME: 161001a FILE DATE: 17-Aug-99 NO.SHEETS: 7

REV/ISS	AMENDMENTS	DRAWN	CHKD	D.O.	APVD	DATE



+14V Regulator (placed in the processor area)



- 
 MIC-SEAL
 MICGROMMET
- 
 SEAL
 BATT SEAL
- 
 TBADMARK
 BADMARK
- 
 BBADMARK
 BADMARK

© TAIT ELECTRONICS				
ORCA :TOP-		900MHZ		
+14V REGULATOR				
IPN: 220-01610-01		ISSUE: B		ID: 2.SC. 7
PROJECT: ORCA	DESIGNER: BRD	FILE NAME: 161001a	FILE DATE: 17-Aug-99	NO.SHEETS: 7

REV/ISS	AMENDMENTS	DRAWN	CHKD	D.O.	APVD	DATE